

VAYU[®]·TEC

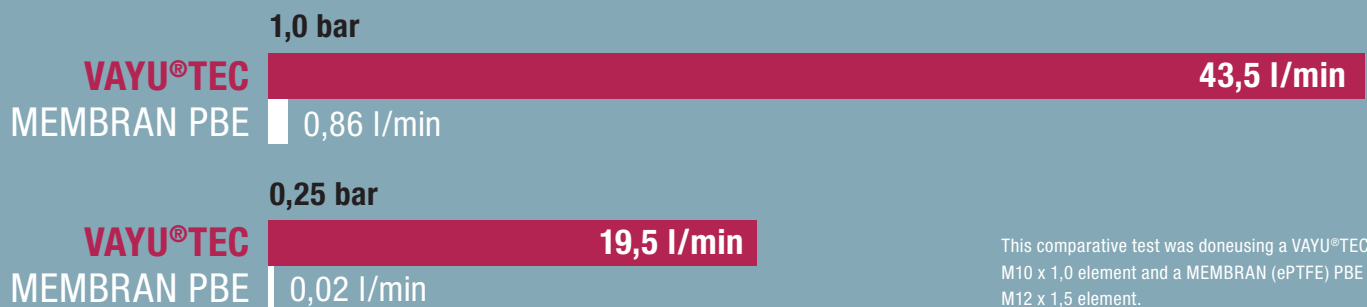
THE NEW DIMENSION OF PRESSURE BALANCE ELEMENTS (PBE) – MADE IN GERMANY

Changing atmospheric conditions and a sudden decrease in temperature can cause underpressure inside protective housings of technical equipment. Water and dirt can penetrate the gaskets damaging sensitive electronics in the process. VAYU[®]TEC pressure balance elements feature a highly improved air exchange rate (patented IQ TEX[®] technology). This characteristic makes VAYU[®]TEC the

ideal solution for urgent pressure balancing in large control cabinets and all protective housings. At the same time the innovative construction of VAYU[®]TEC protects against foreign material and dirt. If required, it is absolutely water-tight up to a pressure of 6 bar. For further information please visit: www.vayutec.com

powered by IQTEX[®]

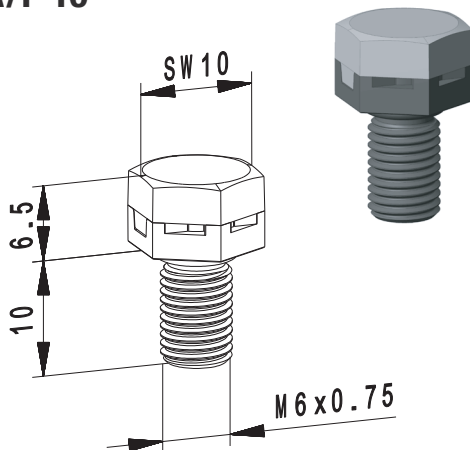
TYPICAL AIRFLOW



This comparative test was done using a VAYU[®]TEC M10 x 1,0 element and a MEMBRAN (ePTFE) PBE M12 x 1,5 element.

AIRFLOW INCREASED BY A FACTOR OF UP TO 1000 OWING TO PATENTED TECHNOLOGY.

VAYU[®]TEC M6 x 0,75 mit A/F 10

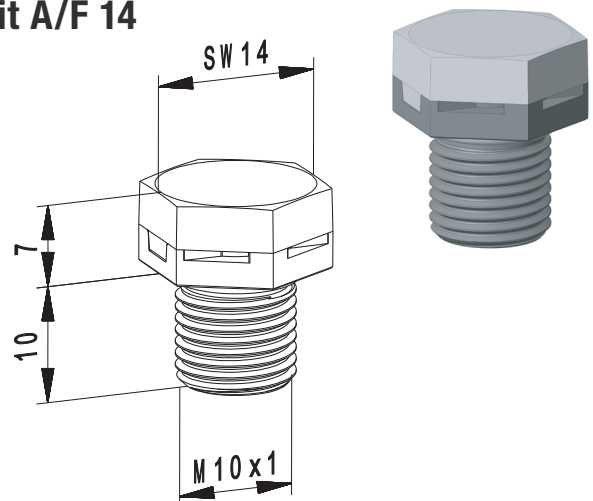


TYPICAL AIRFLOW:

0,25 bar > 6,5 l/min water entry pressure > 6 bar
1,0 bar > 16,5 l/min temperature range -40°C/+110°C

Basic material: PA6-G15, sealing material: BASF Luquafleece + PA6 mesh (insert molding), color: grey, protection class: IP 56, scope of delivery: VAYU[®]TEC + seal washer + nut + data sheet (installation note: threaded hole or clearance hole in housing)

VAYU[®]TEC M10 x 1,0 mit A/F 14



TYPICAL AIRFLOW:

0,25 bar > 19,5 l/min water entry pressure > 6 bar
1,0 bar > 43,5 l/min temperature range -40°C/+110°C

Basic material: PA6-G15, sealing material: BASF Luquafleece + PA6 mesh (insert molding), color: grey, protection class: IP 56, scope of delivery: VAYU[®]TEC + seal washer + nut + data sheet (installation note: threaded hole or clearance hole in housing)